

BUILT-IN CHARGING AND AUDIO STATION

Charge your tablet or smart-phone inside the sauna and connect your favorite audio device with Bluetooth or the included MP3 jack.

BUILT-IN ERGONOMIC BACKREST

Relax close to the soothing infrared heat against the Chiropractor designed built-in ergonomic backrest.

COMBINATION DOOR HANDLE/TABLET CRADLE FOR EASY MEDIA VIEWING

Place your tablet on the door handle for easy viewing of your favourite shows or movies.

HOT YOGA ROOM AND FULL SPECTRUM SAUNA

Designed with removable benches so you can use it as your own private hot yoga room or a full spectrum infrared sauna.



ITALIAN INSPIRED DESIGN AND GLASS ROOF

The open feel and beautiful design of your Sanctuary sauna will complement every room.

THERAPEUTIC FAR INFRARED HEATERS

Our exclusive True Wave™ hybrid Carbon & Ceramic low EMF / low ELF heaters surround you in healing infrared heat.

TRUE WAVE™ FULL SPECTRUM HEATERS

Our full spectrum near, mid and far infrared heaters deliver over 20 times the power of the nearest leading competitor. Our patented heating system allows for the deepest penetration with peak performance for the best results.

HEATED FLOOR

The large interior space allows plenty of room for yoga poses. While performing floor poses, the infrared heat from the heated floor will help you ease into your stretch.

ENHANCED AUDIO SOUND SYSTEM



Bluetooth and AUX inputs make it easy to connect and listen to your audio devices.

DIGITAL KEYPAD CONTROLS



Never Fail™ digital keypad controls temperature, time, lights, heater intensity and reservation mode.

COLOUR LIGHT THERAPY



Your Sanctuary sauna comes with medical grade Chromotherapy as standard.

TABLET / SMARTPHONE CONTROL



(Optional) Log in from your Android, tablet or smartphone and remotely operate your sauna.

SPECIFICATIONS

Construction

Eco Certified Grade "A" Clear Western Red Canadian Cedar
8 mm thick tempered safety glass: doors & windows
Weight: 324 kg

Exterior

Width: 193 cm
Depth: 152 cm
Height: 196 cm

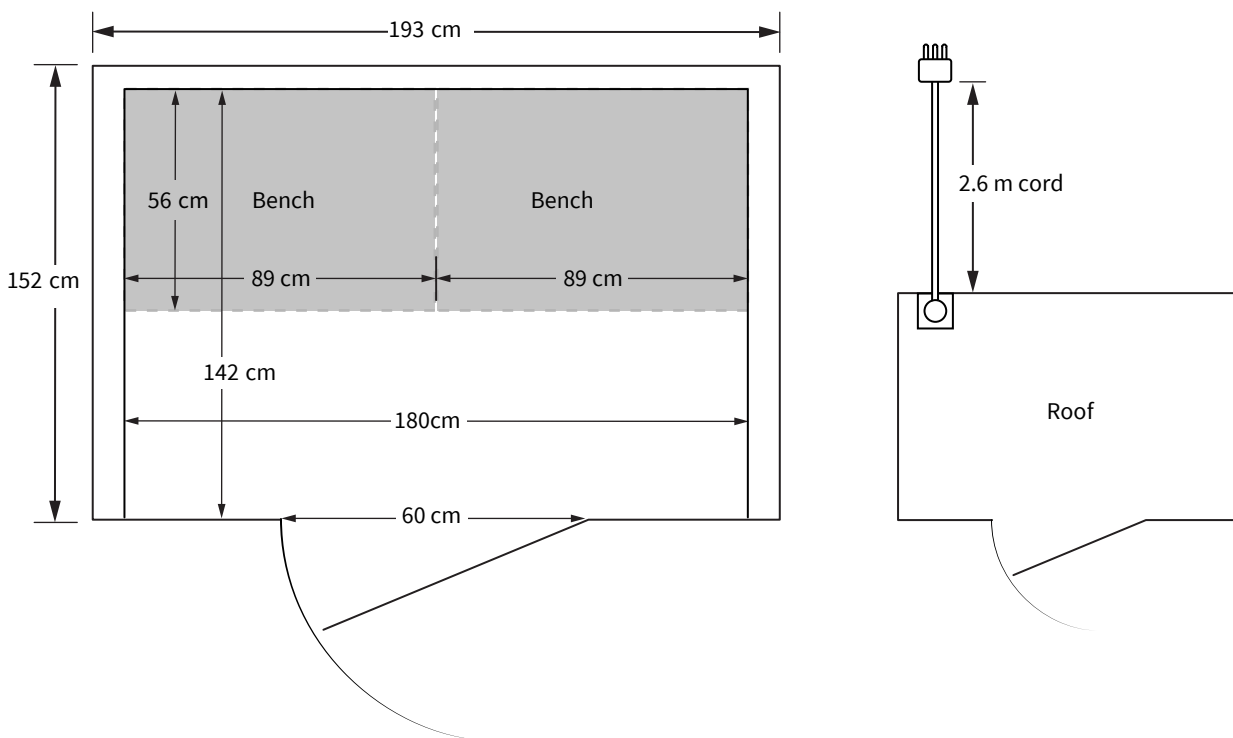
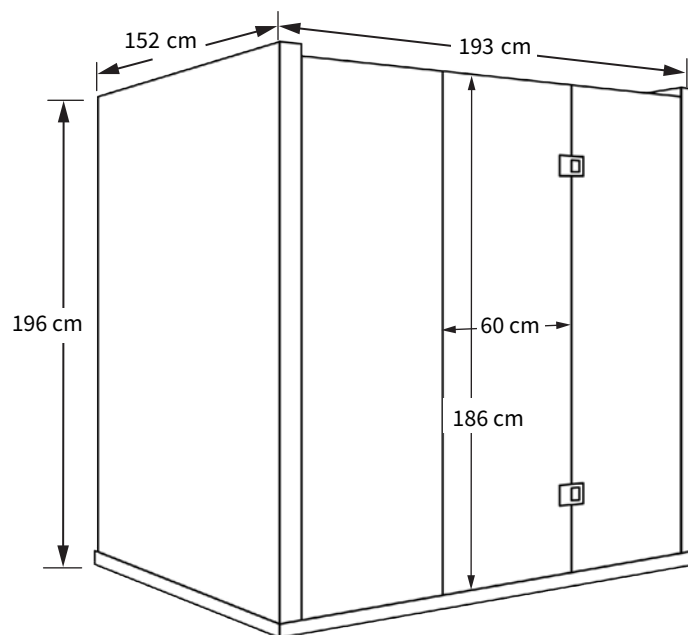
Interior

Width: 180 cm
Depth: 142 cm
Height: 188 cm
Bench (2): 89 cm x 56 cm

Heaters

True Wave™ Carbon & Ceramic
Far infrared and full spectrum heaters
Power: 230V / 3,360W / 15A

Full Lifetime Warranty



SPECIFICATIONS

Construction

Eco Certified Grade "A" Clear
Western Red Canadian Cedar
8 mm thick tempered safety glass:
doors & windows
Weight: 324 kg

Exterior

Width: 193 cm
Depth: 152 cm
Height: 196 cm

Interior

Width: 180 cm
Depth: 142 cm
Height: 188 cm
Bench (2): 89 cm x 56 cm

Heaters

True Wave™ Carbon & Ceramic
Far infrared and full spectrum heaters
Power: 230V / 3,360W / 15A

Full Lifetime Warranty