

### BUILT-IN CHARGING AND AUDIO STATION

Charge your tablet or smartphone inside the sauna and connect your favorite audio device with Bluetooth or the included MP3 jack.

### BUILT-IN ERGONOMIC BACKREST

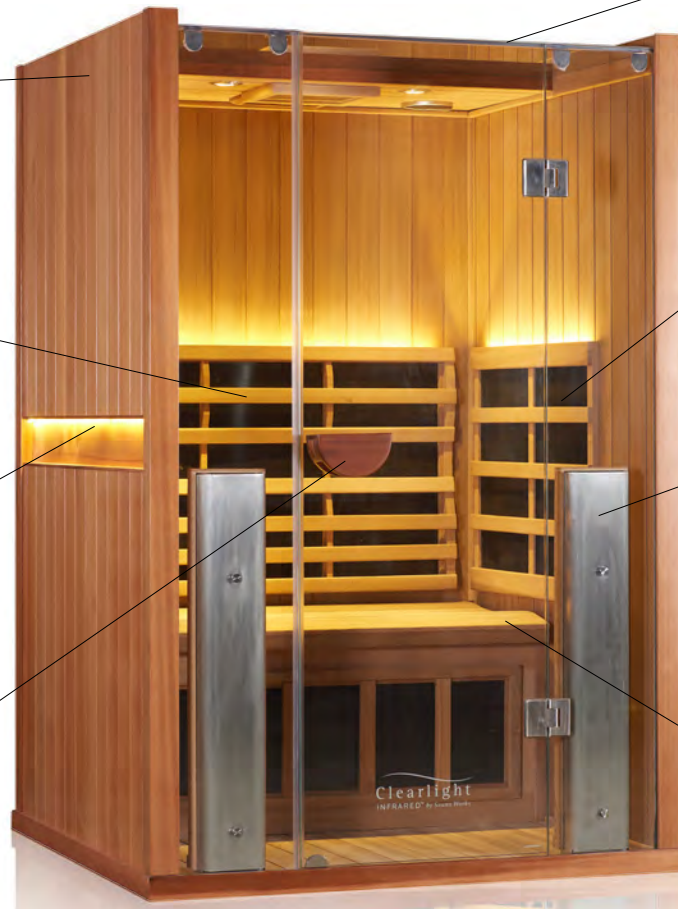
Relax close to the soothing infrared heat against the Chiropractor designed built-in ergonomic backrest.

### BEAUTIFUL ACCENT LIGHTS

Energy efficient LED lights highlight the beauty of your sauna while providing gentle ambient lighting.

### COMBINATION DOOR HANDLE/TABLET CRADLE FOR EASY MEDIA VIEWING

Place your tablet on the door handle for easy viewing of your favourite shows or movies.



### ITALIAN INSPIRED DESIGN AND GLASS ROOF

The open feel and beautiful design of your Sanctuary sauna will complement every room.

### THERAPEUTIC FAR INFRARED HEATERS

Our exclusive True Wave™ hybrid Carbon & Ceramic low EMF / low ELF heaters surround you in healing infrared heat.

### TRUE WAVE™ FULL SPECTRUM HEATERS

Our full spectrum near, mid and far infrared heaters deliver over 20 times the power of the nearest leading competitor. Our patented heating system allows for the deepest penetration with peak performance for the best results.

### DOCTOR DESIGNED ERGONOMIC BENCH

Relax in comfort with our reversible bench. The extra deep bench is ergonomic on one side and flat on the other for maximum comfort. The bench can be flipped at any time.

#### ENHANCED AUDIO SOUND SYSTEM



Bluetooth and AUX inputs make it easy to connect and listen to your audio devices.

#### DIGITAL KEYPAD CONTROLS



Never Fail™ digital keypad controls temperature, time, lights, heater intensity and reservation mode.

#### COLOUR LIGHT THERAPY



Your Sanctuary sauna comes with medical grade Chromotherapy as standard.

#### TABLET / SMARTPHONE CONTROL



(Optional) Log in from your Android, tablet or smartphone and remotely operate your sauna.

#### SPECIFICATIONS

##### Construction

Eco Certified Grade "A" Clear Western Red Canadian Cedar  
8 mm thick tempered safety glass: doors & windows  
Weight: 204 kg

##### Exterior

Width: 132 cm  
Depth: 122 cm  
Height: 196 cm

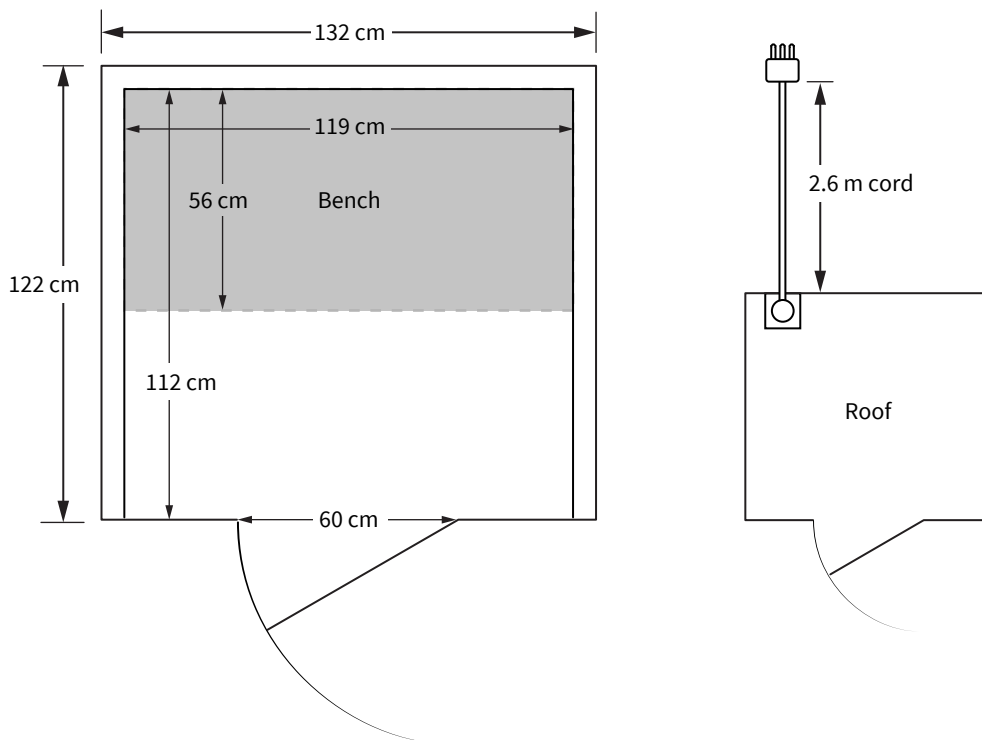
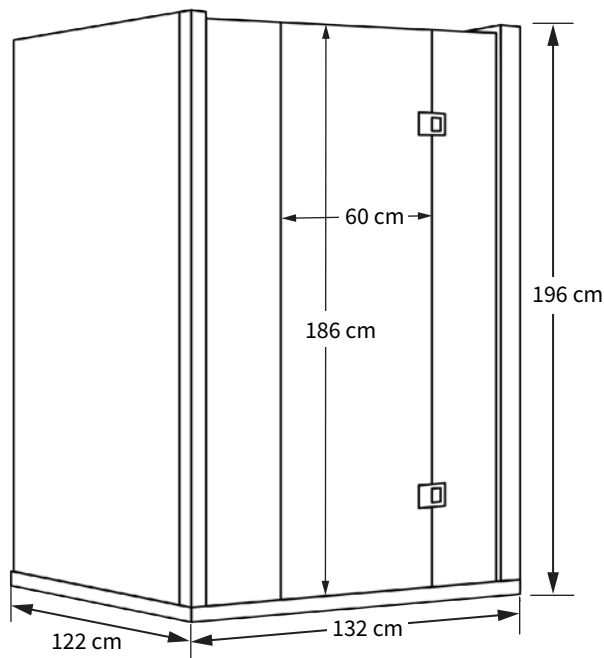
##### Interior

Width: 119 cm  
Depth: 112 cm  
Height: 188 cm  
Bench: 119 cm x 56 cm

##### Heaters

True Wave™ Carbon & Ceramic  
Far infrared and full spectrum heaters  
Power: 230V / 2,250W / 10A

##### Full Lifetime Warranty



**SPECIFICATIONS**

**Construction**

Eco Certified Grade "A" Clear  
Western Red Canadian Cedar  
8 mm thick tempered safety glass:  
doors & windows  
Weight: 204 kg

**Exterior**

Width: 132 cm  
Depth: 122 cm  
Height: 196 cm

**Interior**

Width: 119 cm  
Depth: 112 cm  
Height: 188 cm  
Bench: 119 cm x 56 cm

**Heaters**

True Wave™ Carbon & Ceramic  
Far infrared and full spectrum heaters  
Power: 230V / 2,250W / 10A

**Full Lifetime Warranty**