

BUILT-IN CHARGING AND AUDIO STATION

Charge your tablet or smart-phone inside the sauna and connect your favorite audio device with Bluetooth or the included MP3 jack.

BUILT-IN ERGONOMIC BACKREST

Relax close to the soothing infrared heat against the Chiropractor designed built-in ergonomic backrest.

COMBINATION DOOR HANDLE/TABLET CRADLE FOR EASY MEDIA VIEWING

Place your tablet on the door handle for easy viewing of your favourite shows or movies.

TRUE WAVE™ FULL SPECTRUM HEATERS

Our full spectrum infrared heaters deliver over 20 times the power of the nearest leading competitor. Our patented heating system allows for the deepest penetration with peak performance for the best results.

BUILT FOR THE OUTDOORS

Cedartec® exterior finish for durable outdoor use and Western Red Canadian Cedar interior for that true sauna feel.

THERAPEUTIC FAR INFRARED HEATERS

Our exclusive True Wave™ hybrid Carbon & Ceramic low EMF / low ELF heaters surround you in healing infrared heat.

DOCTOR DESIGNED ERGONOMIC BENCH

Relax in comfort in your sauna with our exclusive recliner or flat bench.



INFRARED HEATED CERAMIC TILED FLOOR

Includes an easy to clean cream ceramic tiled floor – with underfloor True Wave™ Carbon & Ceramic far infrared heaters.

ENHANCED AUDIO SOUND SYSTEM



Bluetooth and AUX inputs make it easy to connect and listen to your audio devices.

DIGITAL KEYPAD CONTROLS



Never Fail™ digital keypad controls temperature, time, lights, heater intensity and reservation mode.

COLOUR LIGHT THERAPY



Your Outdoor sauna comes with medical grade Chromotherapy as standard.

TABLET/ SMARTPHONE CONTROL



(Optional) Log in from your tablet or smartphone and remotely operate your sauna.

SPECIFICATIONS

Construction

Cedartec™ exterior with Eco Certified Western Red Canadian Cedar interior
8 mm thick tempered safety glass: doors & windows
Weight: 476 kg

Exterior

Width: 210 cm *
Depth: 131 cm *
Height: 196 cm
**Add 21cm roof overhang*

Interior

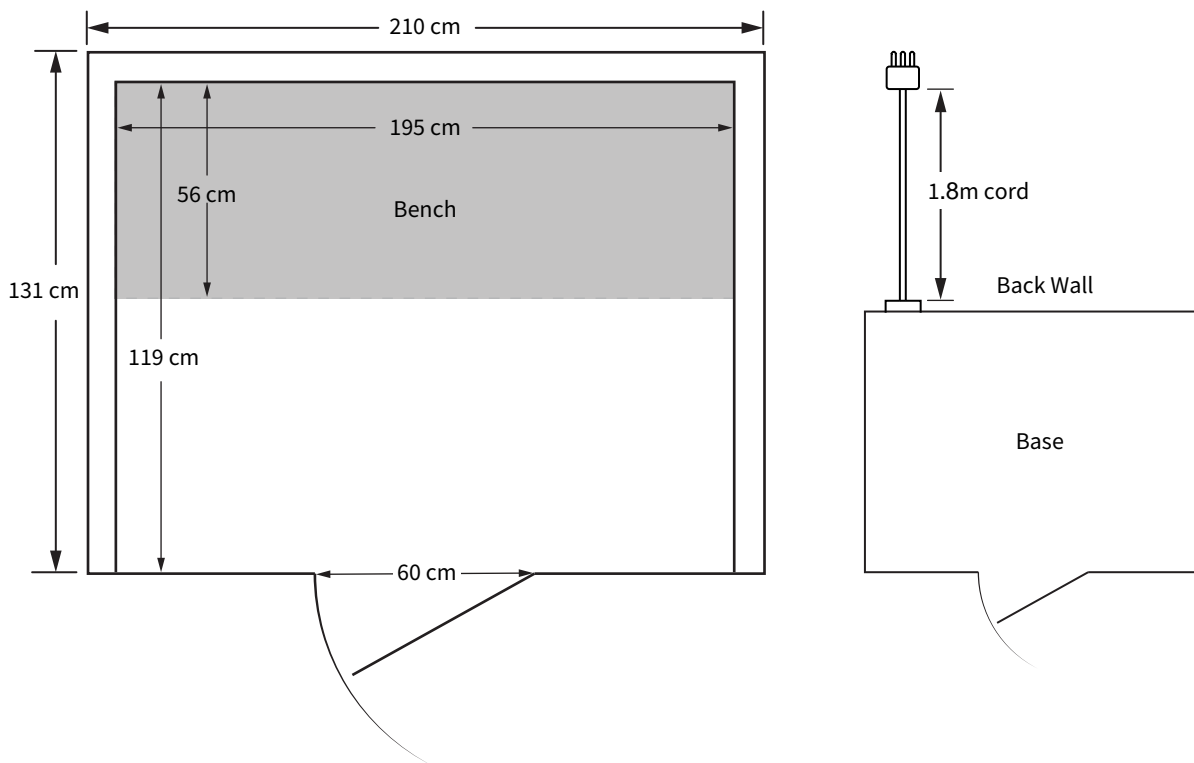
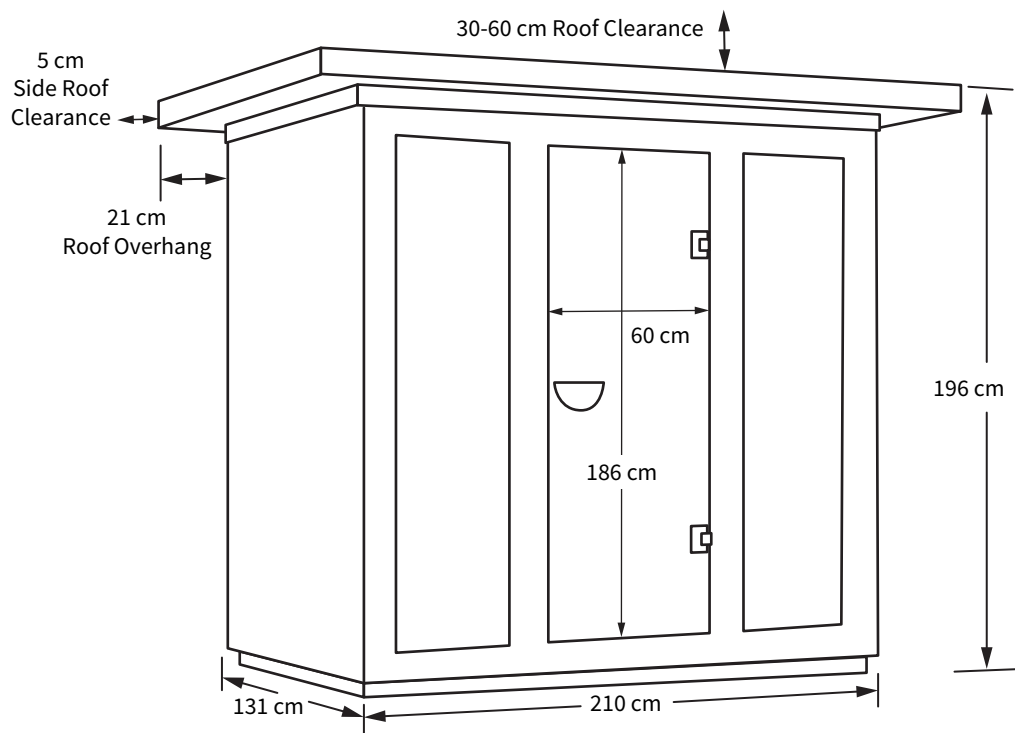
Width: 195 cm
Depth: 119 cm
Height: 179 cm
Bench: 56 cm x 195 cm

Heaters

True Wave™ Far Infrared and Full Spectrum Infrared Heaters
Power: 230V / 3,800W / 17A

Warranty

Full Lifetime Warranty on all electrical components including Far-infrared & Full Spectrum Heaters
5 Year Warranty on Cabin



SPECIFICATIONS

Construction

Cedartec™ exterior with Eco Certified Western Red Canadian Cedar interior
8 mm thick tempered safety glass: doors & windows
Weight: 476 kg

Exterior

Width: 210 cm *
Depth: 131 cm *
Height: 196 cm
**Add 21cm roof overhang*

Interior

Width: 195 cm
Depth: 119 cm
Height: 179 cm
Bench: 56 cm x 195 cm

Heaters

True Wave™ Far Infrared and Full Spectrum Infrared Heaters
Power: 230V / 3,800W / 17A

Warranty

Full Lifetime Warranty on all electrical components including Far-infrared & Full Spectrum Heaters
5 Year Warranty on Cabin